

4.7 cu. ft. Single Wall Oven



- 4.7 cu. ft. Capacity
- EasyClean® + Self Clean
- 2 Heavy Duty Racks
- SmoothTouch™ Glass Controls
- LG ThinQ® Technology (Wi-Fi)
- ThinQ Care



COLOR AVAILABILITY

- WSEP4721S – PrintProof™ Stainless Steel

CAPACITY

Oven Capacity	4.7 cu. ft.
---------------	-------------

CONTROLS

Oven Control Type	SmoothTouch™ Glass
Language	English, Spanish, French
Clock	12 hr or 24 hr (option)
Kitchen Timer	Yes
Temperature Unit of Measure	°F or °C
Cooking Complete Reminder Volume	High, Low, Off

OVEN FEATURES

EasyClean®	Yes
Self Clean	Yes
Variable Cleaning Time	Yes (3, 4, 5 hrs.)
Oven Racks	2 Heavy Duty
Number of Rack Positions	5
Temperature Probe	No
Convection Conversion	No
Convection Element	No
Built-in Air Fry	No
Variable Broil	Yes (Full, Center / High, Med, Low)
Broil Element	Inner: 2,900 W Outer: 1,500 W
Broil Element Type	8-Pass
Bake Element	2,500 W
Bake Element Type	Hidden (8-Pass)
Steam Sous Vide	No
Steam Bake	No
Water Reservoir	No
Proof	Yes
Oven Cooking Modes	Bake / Broil / Warm / Proof / Favorite
Automatic Safety Shut-Off	After 12 Hours
Oven Lights	Yes
Variable Warm	Yes (High, Med, Low)

CONVENIENCE

ADA Compliant	No
Sabbath Mode	Yes

SMART FEATURES

Wi-Fi Enabled	Yes
ThinQ®	Yes
ThinQ Care	Yes
Voice Control	Google Assistant, Amazon Alexa
SmartDiagnosis™	Yes
Smart Recipe (3rd Party Recipe App)	Yes (Sidechef)

FINISHES AND APPEARANCE

Fingerprint & Smudge Resistant Exterior	Yes
Handle Finish	Stainless Steel Appearance
Oven Door Feature	WideView™ Window

TECHNICAL SPECS

Required Power Supply	240/208V, 60Hz, 4-Wire
Minimum Circuit Breaker	30 Amp
kW Rating at 240V	6.1 kW
Power Outlet Location	See Installation Diagram

INCLUDED ACCESSORIES

2 Heavy Duty Racks

DIMENSIONS

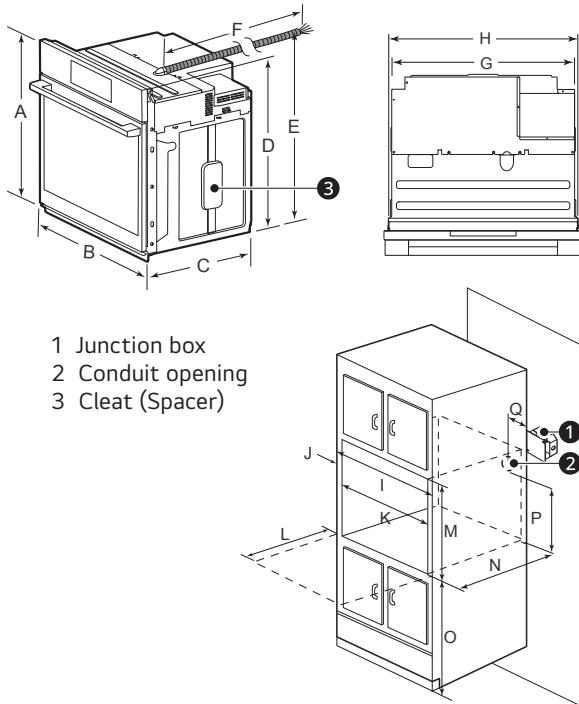
Product Dimensions (W x H x D)	29 3/4" x 29 7/16" x 23 3/8"
Minimum Cutout Dimensions (W x H x D)	Standard: 28 1/2" x 29 1/8" x 24" Flush: 30" x 29 5/8" x 25"
Carton Dimensions (W x H x D)	33" x 30" x 34"
Approx. Weight (Product / Carton)	126 lbs. / 158 lbs.

LIMITED WARRANTY

Parts and Labor	1 Year
-----------------	--------

DIMENSIONS / CLEARANCES

Measure the current cutout dimensions and compare them to the cutout dimensions shown below. Little or no cabinet work may be necessary.



DIMENSIONS / CLEARANCES

A	Height	29 7/16" (74.7 cm)
B	Width	29 3/4" (75.5 cm)
C	Depth	23 3/8" (59.3 cm)
D	Height (standard installation)	29" (73.6 cm)
E	Height (power cord)	27 1/2" (70.0 cm)
F	Length (power cord)	60" (152.4 cm)
G	Width (back)	27 3/8" (695.3 mm)
H	Width (standard installation)	28 7/16" (72.2 cm)
I	Cabinet width	30" (76.2 cm)
J	Overlap of oven	1" (2.5 cm)
K	Cutout width	28 1/2" Min. (72.4 cm) 28 5/8" Max. (72.7 cm)
L	Depth of open door	23" (58.4 cm)
M	Cutout height	29 1/8" Min. (74.0 cm) 29 3/16" Max. (74.1 cm)
N	Cutout depth	24" Min. (61.0 cm)
O	Cutout location from floor	31" (78.7 cm)
P	Height of conduit opening from floor of cutout	23 1/2" (59.7 cm)
Q	Distance of conduit opening from side of cabinet	5" (12.7 cm)

INSTALLATION NOTES

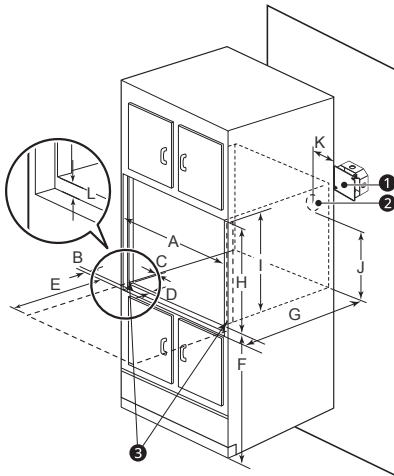
- The cabinet base platform must be able to support 190 lbs (86 kg). If the cabinet does not have a solid bottom, two braces or runners must be installed level with the bottom of the cutout to support the weight of the oven. Make sure the base is level and the front of the cabinet is square. If the cabinet base is not level, the oven racks will tend to slide out when opening the door.
- Make sure the cabinets and wall coverings around the oven can withstand the temperature (up to 194° (90°)) generated by the oven. Discoloration, delamination or melting may occur.
- Kitchen cabinets in contact with the oven must be heat resistant up to 194°F (90°C), and fronts of nearby units up to at least 158°F (70°C).
- DO NOT remove spacers (3) on the side walls of the built-in oven. These spacers center the oven in the space provided. The oven must be centered to prevent excess heat buildup that may result in heat damage or fire.
- DO NOT put any weight on the oven door. Never allow anyone to climb, sit, stand or hang on the oven door. The oven could be tipped and injury might result from contact with hot food or the oven itself.
- DO NOT block the oven air exhaust located at the bottom of the oven. Blocking the exhaust may cause cabinet damage and product malfunction.

NOTE

- If marks, blemishes or the cutout opening are visible above the installed appliance, it may be necessary to add wood shims under the runners and front trim until the marks or opening are covered.
- If the cabinet does not have a front frame and the sides are less than 3/4" (1.9 cm) thick, shim both sides equally to establish the cutout width.
- The junction box (1) must be flush with the conduit opening (2) of the cabinet as shown.
- Allow at least a 23" clearance for the door depth when it is open.
- Do not remove the gliding racks from the base packing. Gliding racks are attached separately to the top and bottom of the oven.

DIMENSIONS / CLEARANCES

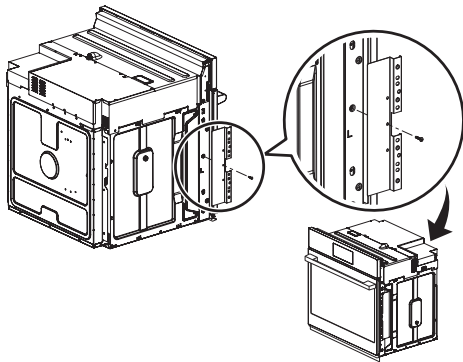
FLUSH INSTALLATION



- 1 Junction box
- 2 Conduit opening
- 3 Cleat (Spacer)

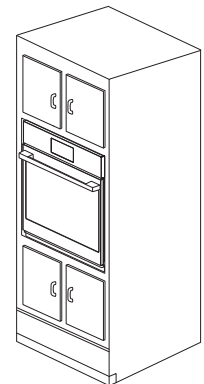
DIMENSIONS / CLEARANCES

A	Cutout width	30" (76.2 cm)
B	Cleat (spacer) inset from front of cabinet	1 3/8" (3.5 cm)
C	Cleat (spacer) width	3/16" (0.5 cm)
D	Cleat (spacer) depth	1" (2.5 cm)
E	Depth of open door	23" (58.4 cm)
F	Bottom of cutout from floor	31" (78.7 cm)
G	Cutout depth	25" (63.5 cm)
H	Cutout height	29 5/8" (75.2 cm)
I	Cleat (spacer) height	28 9/16" (72.6 cm)
J	Height of conduit opening from floor of cutout	23 1/2" (59.7 cm)
K	Distance of conduit opening from side of cabinet	5" (12.7 cm)
L	Bottom of vent trim (Decor) to vent opening	3/4" (1.9 cm)



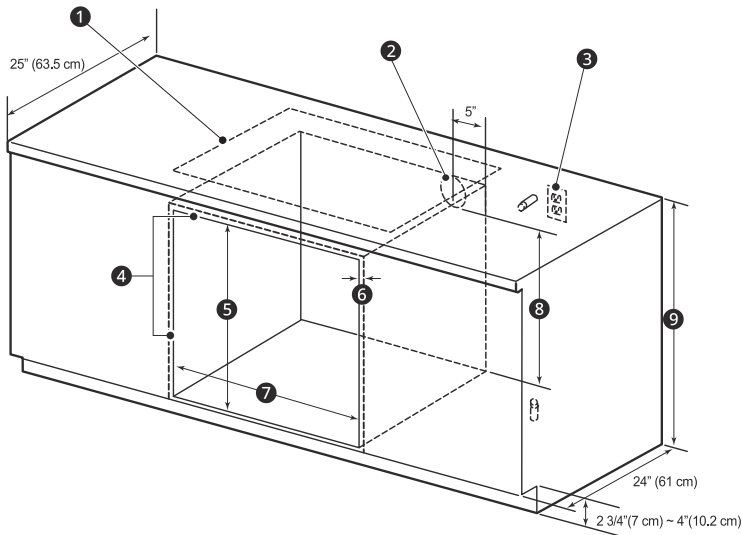
WHEN INSTALLING FLUSH CABINET

- The provided cover brackets are only used for flush cabinet installations.
- Remove one screw from the left and right sides as shown. These screw holes will be used to mount the cover brackets. Install the cover brackets on the sides of the oven with the provided self-tapping screws.



DIMENSIONS / CLEARANCES

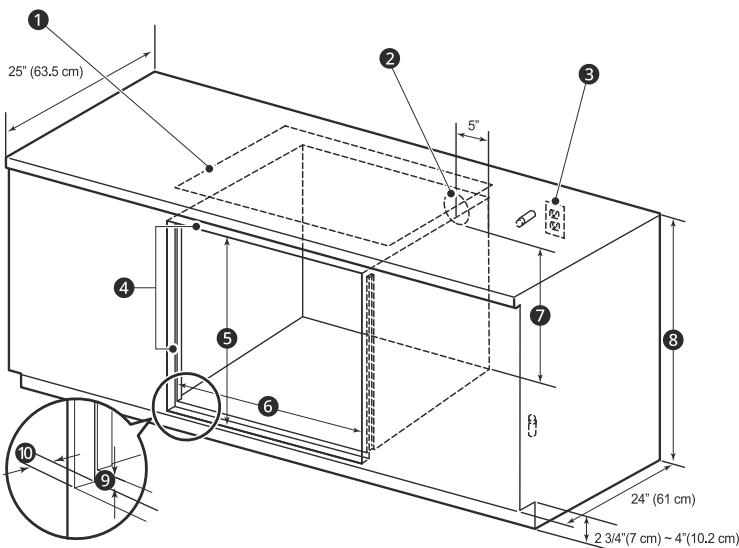
UNDERCOUNTER INSTALLATION (STANDARD)



INSTALLATION NOTES / DIMENSIONS / CLEARANCES

- 1 Gas or electric cooktops may be installed over this oven. See cooktop installation instructions for cutout size. See label on top of oven for approved cooktop models.
- 2 240 V / 208 V junction box location (Junction box may be in adjacent cabinet.)
- 3 Gas and electrical connections for 30" (76.2 cm) gas cooktop must be located in an adjacent accessible location to the right. For a 36" (91.4 cm) gas cooktop, the connections may be made to the left.
- 4 Top and/or side fillers may be necessary if unit is positioned between existing cabinets. Be sure they are attached securely, because they will anchor the oven in the cabinets.
- 5 29 1/8" (74.0 cm) min.
29 3/16" (74.1 cm) max.
- 6 Allow overlap of 11/16" (1.7 cm) on top of oven, bottom of oven and side edges of cutout.
- 7 28 1/2" (72.4 cm) min.
28 5/8" (72.7 cm) max.
- 8 23 1/2" (59.7 cm) min. above support platform
- 9 36" (91.4 cm) typical countertop height

UNDERCOUNTER INSTALLATION (FLUSH)



INSTALLATION NOTES / DIMENSIONS / CLEARANCES

- 1 Gas or electric cooktops may be installed over this oven. See cooktop installation instructions for cutout size. See label on top of oven for approved cooktop models.
- 2 240 V / 208 V junction box location (Junction box may be in adjacent cabinet.)
- 3 Gas and electrical connections for 30" (76.2 cm) gas cooktop must be located in an adjacent accessible location to the right. For a 36" (91.4 cm) gas cooktop, the connections may be made to the left.
- 4 Top and/or side fillers may be necessary if unit is positioned between existing cabinets. Be sure they are attached securely, because they will anchor the oven in the cabinets.
- 5 29 5/8" (75.2 cm)
- 6 30" (76.2 cm)
- 7 23 1/2" (59.7 cm) from the cutout base
- 8 36" (91.3 cm) typical countertop height
- 9 3/4" (1.9 cm) bottom of vent trim (Decor) to vent opening
- 10 1 3/8" (3.5 cm) cleat (spacer) inset from front of cabinet